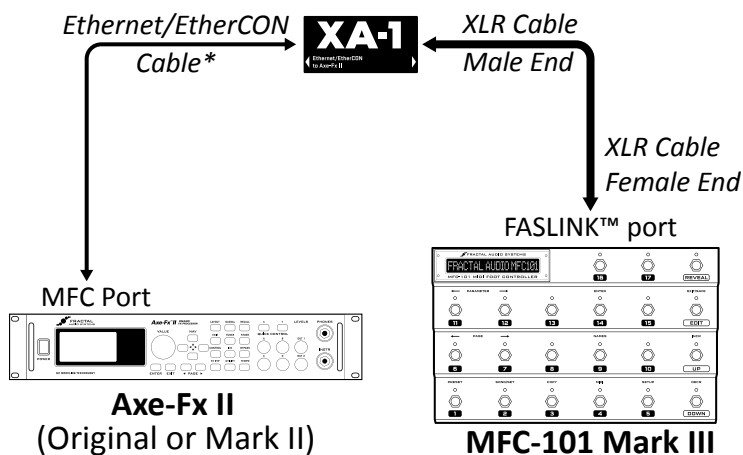


# FASLINK™ ADAPTER SETUP GUIDE

**⚡ WARNING:** FASLINK™ or Ethernet/EtherCON powers the MFC. Do not also connect its AC Adapter to either the Axe-Fx II or MFC-101!

## XA-1 ADAPTER

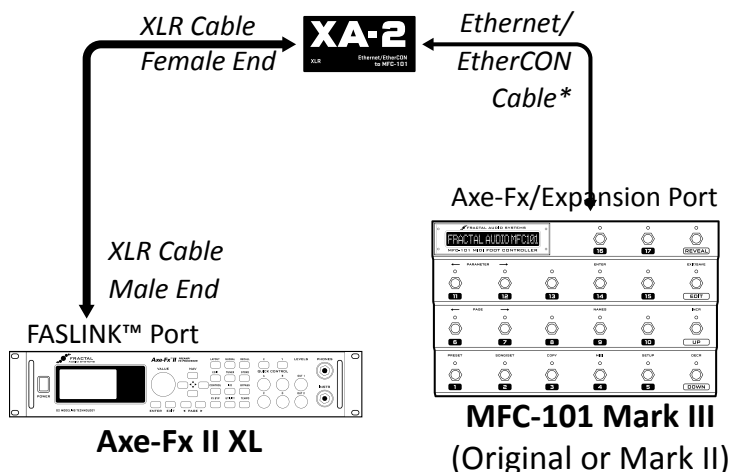
The XA-1 Adapter is used to convert the Ethernet/EtherCON output of an Axe-Fx II to FASLINK™ for direct connection to an MFC-101 Mark III. Connect the XA-1 as follows:



\*Since the XA-1 offers EtherCON, owners of the original Axe-Fx II may want to use an EtherCON to Ethernet Cable, available from [www.fractalaudio.com/cables](http://www.fractalaudio.com/cables)

## XA-2 ADAPTER

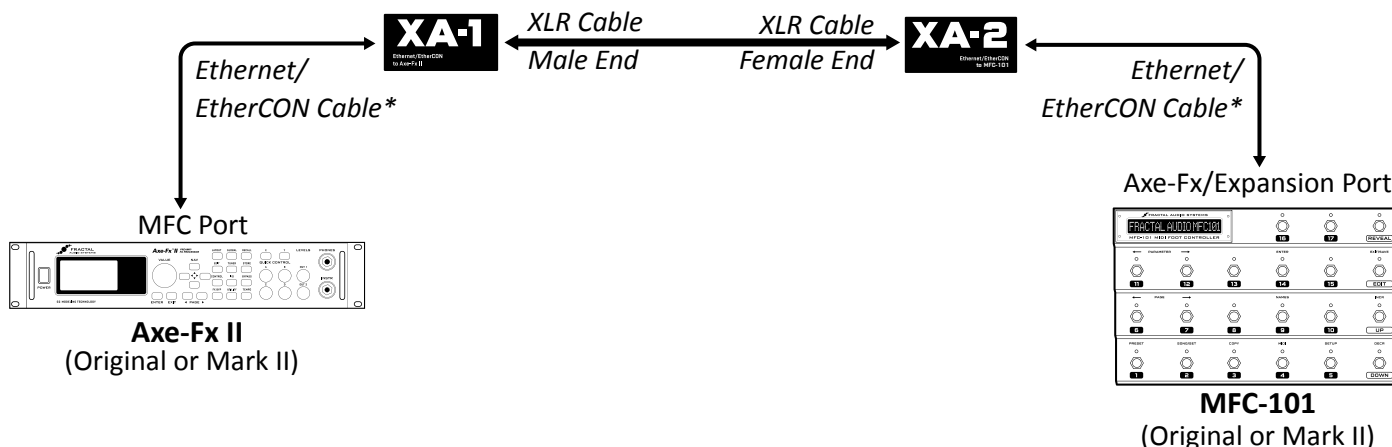
The XA-2 Adapter converts the FASLINK™ output of an Axe-Fx II for connection to the Ethernet/EtherCON port of an MFC-101 (Original or Mark II.) Connect XA-2 as follows:



\*Since the XA-2 offers EtherCON, owners of the original MFC-101 may want to use an EtherCON to Ethernet Cable, available from [www.fractalaudio.com/cables](http://www.fractalaudio.com/cables)

## XA-1 + XA-2 COMBINATION

Use both XA-1 and XA-2 adapters to convert the Ethernet/EtherCON outputs of *both* Axe-Fx II (original or Mark II) and MFC-101 (original or Mark II) to FASLINK™. Mounting the FASLINK™ adapters to your rack case or floorboard secures them and makes XLR interconnection a snap.



\*Since the XA-1 and XA-2 offer EtherCON, owners of either the original Axe-Fx II or original MFC-101 (with Ethernet instead of EtherCON) may want to use an Ethernet to EtherCON cable, available from [www.fractalaudio.com/cables](http://www.fractalaudio.com/cables)